

Suspension Probes

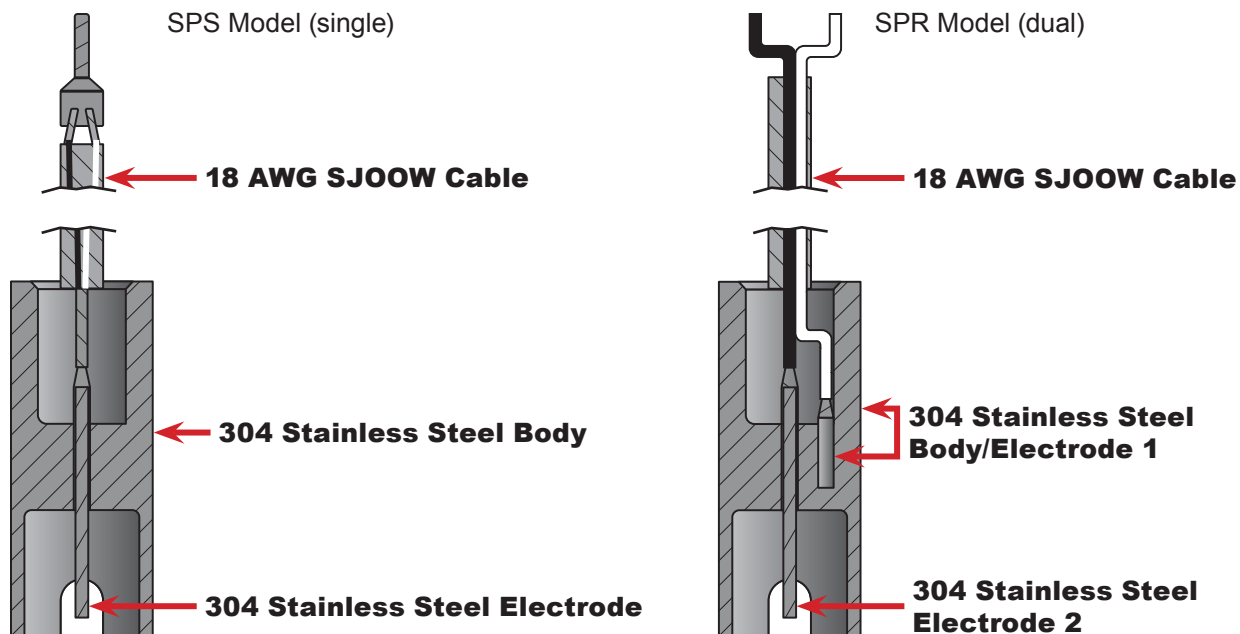
SPS (single) and SPR (dual) Series

DESCRIPTION OF OPERATION



Alderon's suspension probes are designed to be used in applications requiring liquid level control in tanks for water, storm water and de-watering applications. Because there are no moving parts, suspension probes are ideal for limited space applications. Suspension probes are not recommended for sewage or liquids with oil or grease, which will affect conductivity. Two (2) models are offered: SPS series - single point level sensor and SPR series - dual sensor with point level and reference probe built into one sensor. Place the SPR sensor at the "Off" level and place the SPS sensor at the "Start" level, the distance between the sensors is the pumping range. For fill operation, use the pump up liquid level relay. For drain/empty tank use pump down liquid level relay.

FEATURES



Leading Edge Control Products

SPECIFICATIONS

Suspension Probes - SPS/SPR Series

Cable

18 AWG SJOOW

Probe Housing

304 Stainless Steel Body, 1" Diameter

Electrode

304 Stainless Steel, 3/32" Diameter

Liquid Level Relay

Voltage

120 VAC

Range

Adjustable Sensitivity

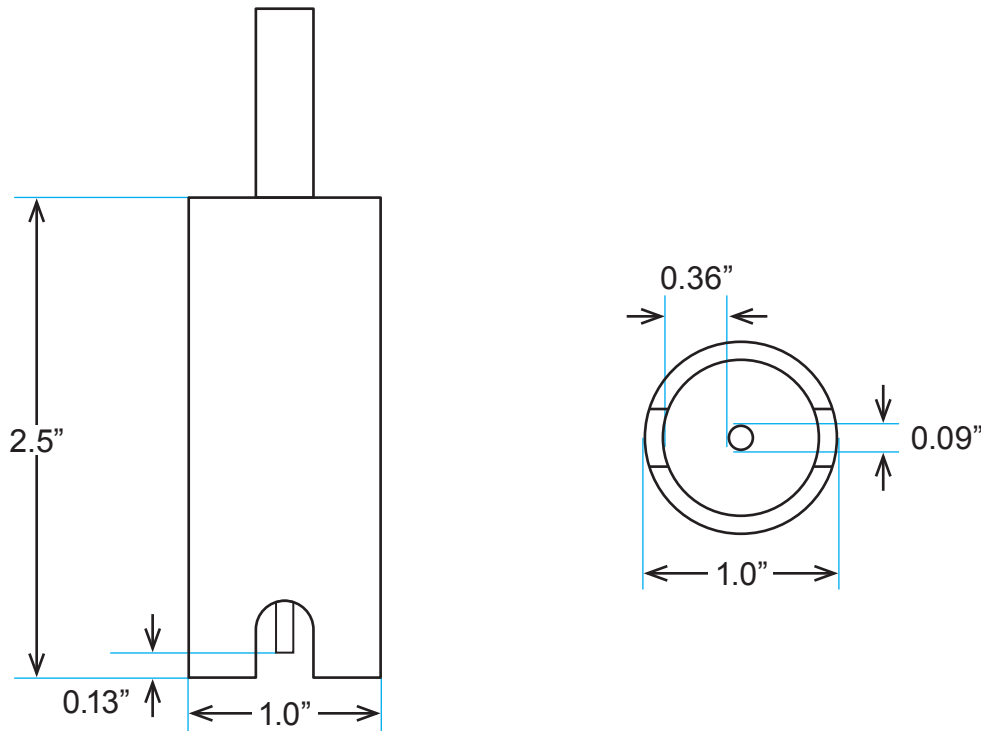
Contacts

Single Pole, Double Throw



Available in Pump Up or Pump Down Models

MECHANICAL DRAWING



ORDERING INFORMATION

PART NUMBER	DESCRIPTION
SPS-20	Suspension Probe Single Point Electrode, 20' Cable
SPR-20	Suspension Probe Dual Point and Reference Electrodes, 20' Cable
Standard cable lengths on probes are 20' - Replace the "20" in part number for longer lengths in increments of 10 feet	
8085	Liquid Level Relay, Pump Down, 120 VAC with Socket
8086	Liquid Level Relay, Pump Up, 120 VAC with Socket

151 16th Street South, Hawley, MN 56549 | Phone: (218) 483-3034 | Fax: (218) 483-3036 | alderonind.com