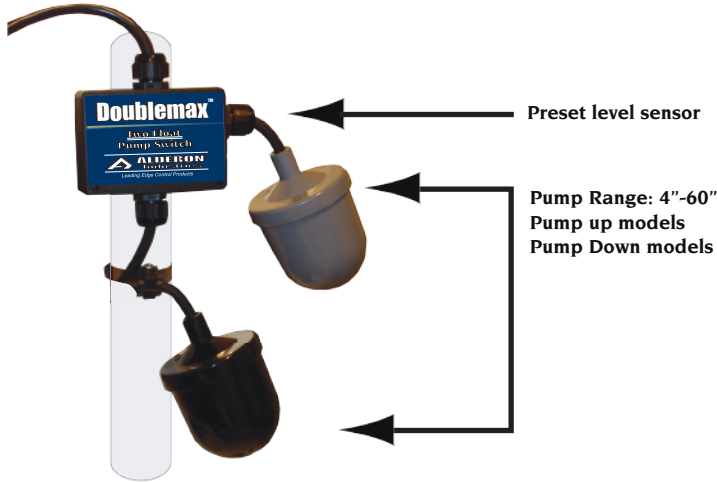


Two Float Pump Switch

DOUBLEMAX™ Pump Control

Leading Edge Design



1. High Amp Rating

▶ Rated at 15 amps, the Doublemax can be used on both small and large horsepower pumps.

2. Environmentally Safe

▶ Patented mechanical switch mechanism eliminates the use of hazardous mercury.

3. High Integrity Design

▶ Special-made cable utilizes a high number of fine-stranded copper wires which make an extremely flexible, long-life cable.

▶ Heavy-Duty contacts

Specifications

Electrical
15 amps, 120/230 VAC

Operating Temperature
0-140 F

Float Housing
3.25" diameter X 4.55" length,
high impact PCV

Cable
Flexible 14 gauge,
2 conductors, SJOW (UL, CSA),
water resistant, rubber (CPE)

Features

4"-60" Pumping Range

Patented Mechanical Design

Mechanically activated
snap action contacts

PVC Float Housing

Excellent corrosion resistance

Withstands high impacts

Heavy Duty Cable

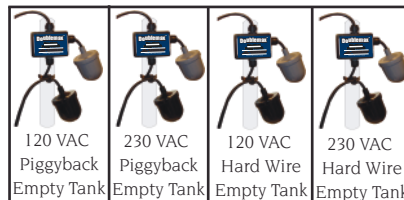
Extra flexible 14-gauge, 2
conductor cable

Omni-Directional

Not sensitive to rotation
or turbulence

UL Listed / 3-Year Warranty

Guaranteed safety and
performance



7633	Doublemax Switch, Pump Down, 15' cable, 120 VAC Plug	X			
7639	Doublemax Switch, Pump Down, 20' cable, 120 VAC Plug	X			
7645	Doublemax Switch, Pump Down, 30' cable, 120 VAC Plug	X			
7651	Doublemax Switch, Pump Down, 15' cable, 230 VAC Plug		X		
7657	Doublemax Switch, Pump Down, 20' cable, 230 VAC Plug		X		
7663	Doublemax Switch, Pump Down, 30' cable, 230 VAC Plug		X		
7669	Doublemax Switch, Pump Down, 15' cable, 120 No Plug			X	
7675	Doublemax Switch, Pump Down, 20' cable, 120 No Plug			X	
7681	Doublemax Switch, Pump Down, 30' cable, 120 No Plug			X	
7687	Doublemax Switch, Pump Down, 15' cable, 230 No Plug				X
7693	Doublemax Switch, Pump Down, 20' cable, 230 No Plug				X
7699	Doublemax Switch, Pump Down, 30' cable, 230 No Plug				X

Please reference the price schedule for pump up models and other Doublemax float switches that are not listed on this page.



Leading Edge Control Products

Alarm Systems

Control Panels

Float Switches

Leak Detection Systems

TWO FLOAT PUMP CONTROL

Doublemax™ Pump Control

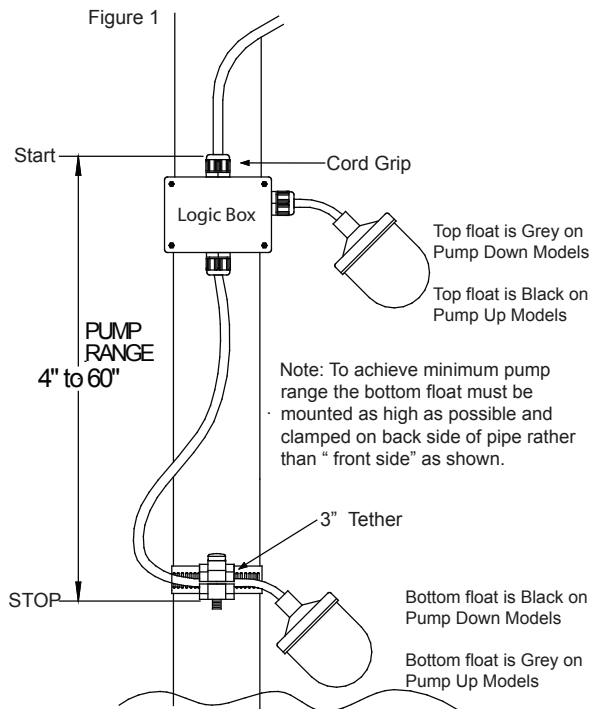
Applications

Normally Open (Pump Down)

The DoubleMax turns on (closes) when the grey float is 10 degrees **above** horizontal, turning on the pump, and turns off (opens) when the bottom float drops 5 degrees **below** horizontal, turning off the pump.

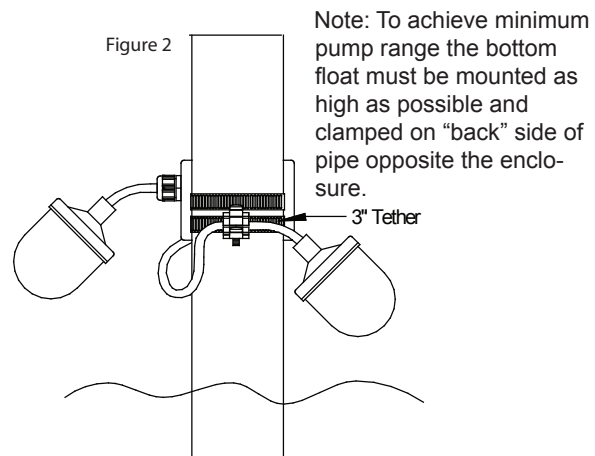
Normally Closed (Pump Up)

The DoubleMax turns on (closes) when the grey float is 10 degrees **below** horizontal, turning on the pump, and turns off (opens) when the top float is 5 degrees **above** horizontal, turning off the pump.



Pump Down Model - Pump activates on upper float

Pump Up Model - Pump activates on lower float



Leading Edge Control Products

L1058-Rev.C