

NEW PATENT PENDING

Mini Doser™-Septic System Mini Dosing

Leading Edge Design



1. High Amp Rating

Eliminates 1/2 horsepower float switches.

- ▶ Rated at 15 amps. Allows the Mini Doser™ to be used on both small and large horsepower pumps.



2. Environmentally Safe

- ▶ Patented mechanical switching mechanism eliminates the use of hazardous mercury.

3. High Integrity Design

- ▶ Special made cable utilizes a high number of fine stranded copper wires which makes for an extremely flexible – long life cable.
- ▶ Heavy duty contacts.

Features

Patented Mechanical Design

Mechanically activated snap action contacts

PVC Float Housing

Excellent corrosion resistant and withstands high impacts

Heavy Duty Cable

Extra flexible 14 gauge, 2 conductor cable

Omni-Directional

Not sensitive to rotation or turbulence

Adjustable Pumping Range

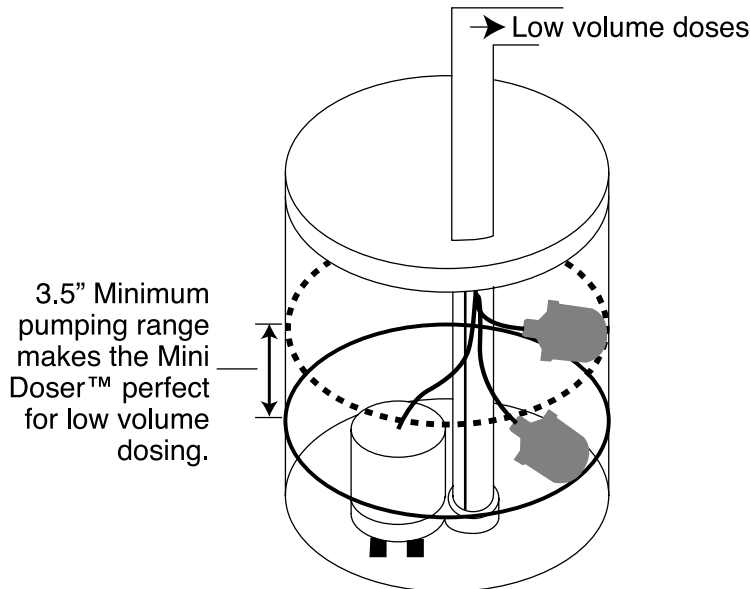
3.5" to 8"

UL Listed / 3-Year Warranty

Guaranteed safety and performance

Applications

Mini or "Micro" Dosing



Specifications

Electrical

15 amps, 120/230 VAC

Operating Temperature

0-140 F

Float Housing

3.25" diameter x 4.55" length, high impact PVC

Cable

Flexible 14 gauge, 2 conductors, SJOW (UL, CSA), water resistant, rubber (CPE)

Switching Differential

40 degrees total

NOTE: The Mini Doser™ must be used with pumps that provide integral thermal overload protection.



Leading Edge Control Products

Alarm Systems

Control Panels

Float Switches

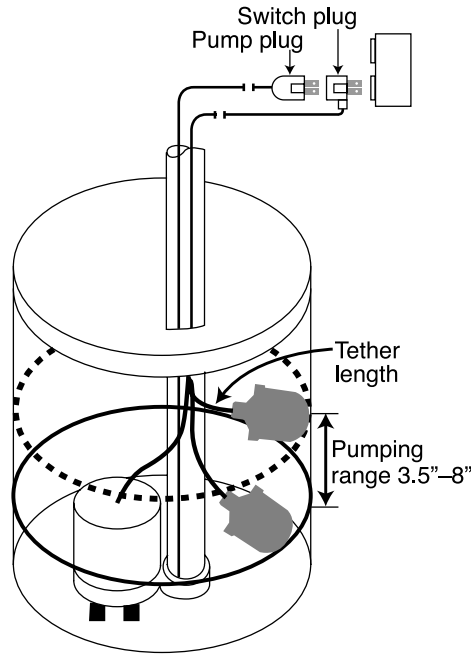
Leak Detection Systems

NEW PATENT PENDING

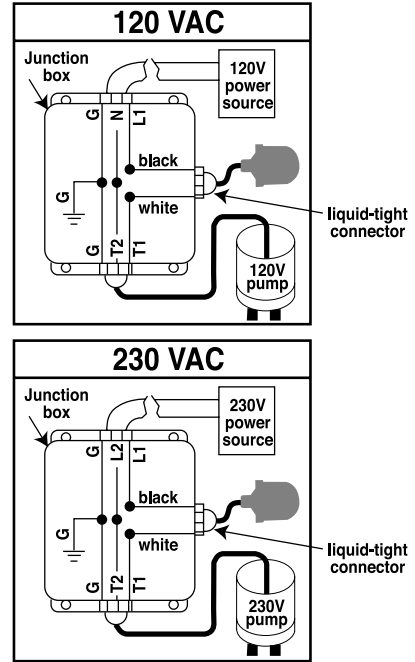
Mini Doser™-Septic System Mini Dosing

Installation Notes

Piggy Back Installation



Direct Wire Installation



Order Numbers

Part Number	Description	Empty Tank	
		Pump Down 120 VAC Piggy Back Plug	Pump Down 120/230 VAC No Plug
7140	Mini Doser,™ pump down, 15' cable, 120 VAC piggy back plug	X	
7141	Mini Doser,™ pump down, 20' cable, 120 VAC piggy back plug	X	
7142	Mini Doser,™ pump down, 30' cable, 120 VAC piggy back plug	X	
7143	Mini Doser,™ pump down, 15' cable, 120/230 VAC, no plug		X
7144	Mini Doser,™ pump down, 20' cable, 120/230 VAC, no plug		X
7145	Mini Doser,™ pump down, 30' cable, 120/230 VAC, no plug		X



Leading Edge Control Products

Alarm Systems

Control Panels

Float Switches

Leak Detection Systems

PO Box 827 • Hawley, MN 56549 • (218) 483-3034 • Fax (218) 483-3036 • www.alderonind.com