

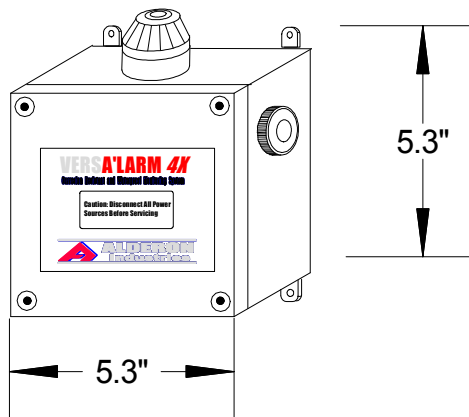
VERSA'LARM™ I/O Installation Instructions

Warning: Turn off all power when installing or adjusting unit. Failure to turn off all power could result in serious injury or death! This product must be installed and serviced by a qualified serviceperson.
 Read instructions thoroughly.
 Check local codes and install to meet requirements.



Specifications

Mechanical



Electrical

Primary Power: 120 VAC, 50/60 HZ
Watts: 10 watts
Fuse: 1 amp fast acting type AGC
Buzzer: 95db @ 2 feet
Switch: UL listed, 120 VAC, 1 amp Minimum
 (signaling device) Single Pole, Single Throw

Model Number Nomenclature

VAIO H

Sensor Options
 blank - no sensor, alarm panel only
 H - 15', Normally Open float switch
 L - 15', Normally Closed float switch

VAIO - **VERSA'LARM** I/O series monitoring system



Description of Operation & Maintenance

The VERSA'LARM is a multipurpose alarm that can be used in a wide variety of applications such as: septic tanks, sumps, holding tanks, pump chambers, water tanks, flow, pressure, condensate, temperature and any others where a "dry" contact can be connected to the VERSA'LARM. The "dry" contact must be a UL listed switch with a minimum rating of 9 VDC, 200 milliamperes.

When a switch (signaling device) "closes" the buzzer and beacon will turn "on". Pressing the "silence" button deactivates the buzzer and the beacon. When the alarm is remedied, the system automatically resets itself. The system can be tested by pressing the "Test" switch.

Should maintenance be needed, contact a qualified service person. Caution! - Disconnect power before replacing the fuse. Replace fuse with a 1 amp fast acting AGC type rated for 120VAC minimum.



VERSA'LARM™ I/O Installation Instructions continued

Warning! - Turn off all power when installing or adjusting unit. Failure to turn off all power could result in serious injury or death! A qualified service person must install and service this product according to applicable electrical codes. This product must be installed in accordance with the National Electrical Code (NFPA 70) so as to prevent moisture or gases from entering the enclosure.

1. Determine mounting location for the VERSA'LARM I/O. Mount the unit using four #8 X 1 1/4 self tapping screws (not included). See Figure 1.
2. Drill holes for conduit connections. See Figure 1 for recommended hole locations. Attach conduit per National Electrical Code.
3. Bring power wires through conduit into the unit and connect to the terminal block. See Figure 1. Make sure the power is on a separate circuit breaker from any other device to maintain power integrity.
4. Bring "signaling Device" wires (such as from a float or pressure switch, etc.) through conduit and connect to the terminal block. See Figure 1. **Caution!** - When installing the "signaling switch" refer to it's installation instructions for proper installation.
5. **Caution!** - When installing wires, route all wires away from sharp objects and internal components. After all wires are installed, seal all conduits, per National Electrical Code, that come from sources that contain corrosive gases. Failure to do so will cause premature failure and void warranty.
6. Reinstall enclosure cover and carefully tighten the 4 screws.
7. Turn on power and then test the unit by pressing the "Test" button located on the left side of the unit. The buzzer and red light should activate. While pressing the "Test" button, press the "Silence" button, which should silence the buzzer. Let go of the "Test" button and repeat test sequence several times.
8. Test the system similar to step 7, but by activating the "signaling device". The alarm should activate.
10. Test unit periodically to ensure system integrity.

