

Description of Operation



The Doublemax pump switch provides maximum accuracy when pumping water or sewage. The Doublemax includes two mechanical floats that are combined with a relay. On Liquid rise, when both floats are up, the relay will activate and pump down to the lower float.

Features

4"-60" Pumping Range

15 Full Load Amps

Operating Temperature 0-140 F

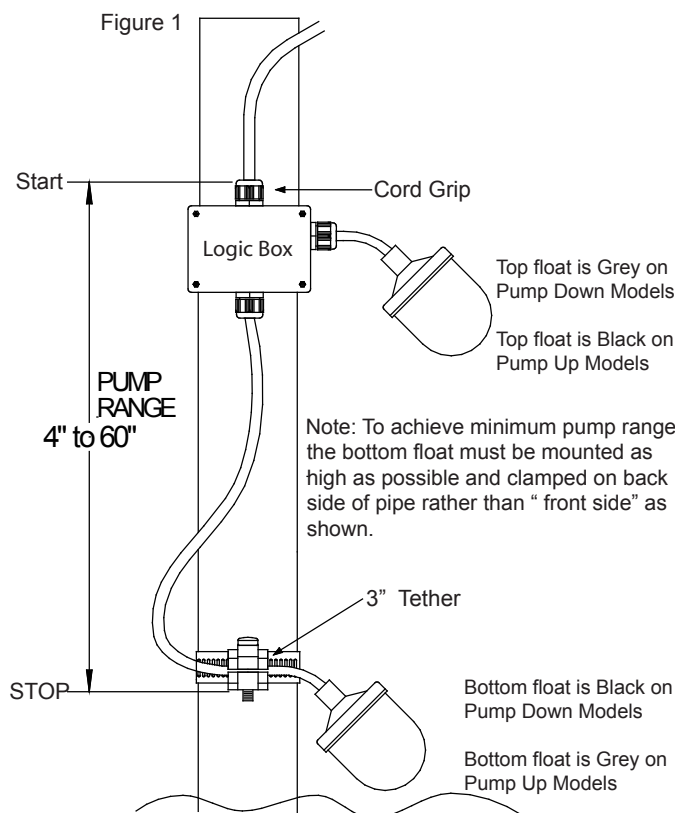
Flexible 14 gauge SJOW (UL, CSA), water resistant, rubber (CPE) cable

High Impact PVC Housing

Float Housing 3.25" D X 4.55" L

Installation

1. Determine the pumping range. See Fig 1 & 2.
2. Tighten the Logic Box on the discharge pipe at desired location. The start level is at the top of the cord grip. See Figure 1.
3. For Pump Down applications the black float is the off float & must be mounted below the grey float. For Pump Up applications the grey float is the on float & must be mounted below the black float. Tether at 3". Tighten the clamp on the discharge pipe.
4. Secure excess cable from float operation.
5. Plug piggyback plug into the receptacle and plug pump into the back of the piggyback plug.
6. Cycle system to ensure proper operation.



Pump Down Model - Pump activates on upper float

Pump Up Model - Pump activates on lower float

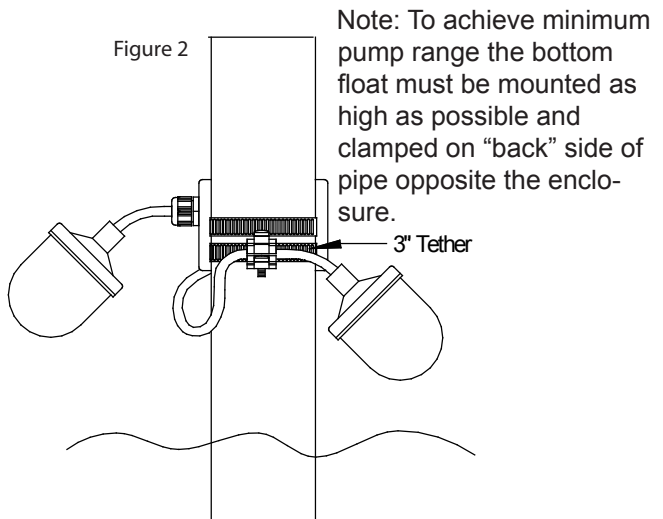
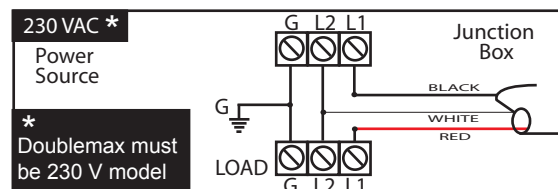
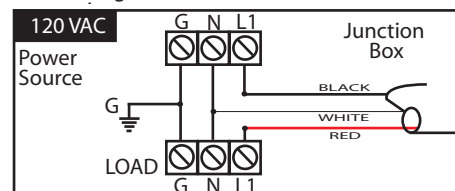


Figure 3 - Hard Wire Installation



* Doublemax must be 230 V model